

SPECIFICATIONS

Material: Boot: APM-RUBRGLAS (transparent silicone rubber) conforms to A-A-59588, Class III Grade 50.

Temperature Range: HEXSEALS: -94°F to +400°F

Pressure Range: Dust tight and splashproof.

Resistant to: Salt spray, weather, sunlight, ozone, corona and most acids.

Shelf Life: Excess of 25 years.

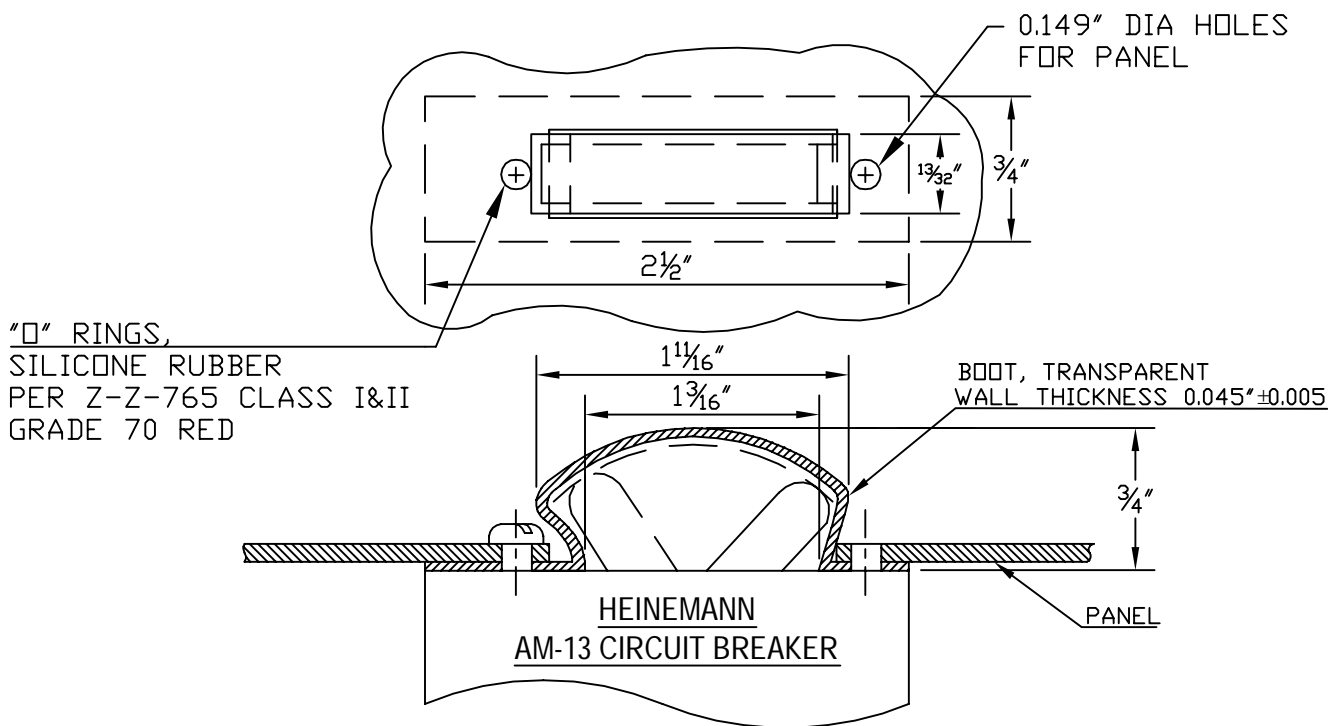
Operational Life: 10,000 actuations, minimum.

Notes:

1. Mounting screws are supplied in lengths shown unless otherwise specified.

2. New sizes and types of RUBRGLAS-SEELS® are being added regularly. Please request other types and styles as required.

Agency Recognition: Front Panel mounted Circuit Breaker Boots are UL-listed to UL Std. 50, types 1, 2, 3, 12, 12K, and 13. Back-of-Panel mounted Circuit Breaker boots are UL-listed to UL Std. 50, type 1. Also meet CSA standards.



"□" RINGS,
SILICONE RUBBER
PER Z-Z-765 CLASS I&II
GRADE 70 RED

NOTES:

ASSEMBLY CONSISTS OF 1 BOOT, MAT'L APM RUBRGLAS® ORDER SEPARATELY, 2#6-32 APM SEELSKREWS® LENGTH=3/8. UNLESS OTHERWISE NOTED TOLERANCES ARE ± 1/32

BACK-OF-PANEL MOUNTING

G	RUBBER MAT'L CHANGED, WALL THICKNESS TOL. 0.010 CHANGED TO 0.005, DELETED TO "DESIGN TO MEET MIL-5423" and DELETED TO SEELSKREW INFORMATION	S. GOK	10.05.09
F	CAD COMPUTER GENERATED		01.03.03
E	SALES DWG NO. WAS 113/2	JAS	01.04.77
D	REDRAWN - REDESIGNED SHAPE	NKS	10.11.65
REV.	DESCRIPTION		DATE
MAXIMUM AND MINIMUM MEASUREMENTS ARE STATED DIRECTLY ON EACH DIMENSION.	TITLE: CIRCUIT BREAKER BOOT, CIRCUIT BREAKER TOGGLE, WIDE ANGLE	ENG.	S. GOK 10.05.09
		DWN.	J.P. 01.06.59
		CHKD.	J. CELLA 10.05.09
MAT'L: RUBRGLASS® CONFORMS TO A-A-59588 CLIII	APM-HEXSEAL CORPORATION	SCALE	HE-1073
FINISH: 50 DUROMETER TRANSPARENT		1:1	

THIS DRAWING COVERS PROPRIETARY ITEM AND IS THE PROPERTY OF THE APM-HEXSEAL CORPORATION. THIS DRAWING IS NOT TO BE COPIED OR USED WITHOUT THE WRITTEN APPROVAL OF AN OFFICER OF THE APM-HEXSEAL CORPORATION.